

PARTITION PANEL COMBI



Benithem Sdn. Bhd.

PTD 10710, Jln Kg Air Putih, Jalan Sawah,
Mukim Jeram Batu, 81500 Pekan Nanas,
Pontian, Johor, West Malaysia.

T : 607-699 6668

F : 607-699 6886

E : sales@benithem.com

www.benithem.com

* Benithem® reserves the rights to change the specifications without prior notification.

* Benithem® products are manufactured under strict quality controls by Benithem Sdn Bhd, recipient of the ISO 9001 : 2015 quality assurance certification and ISO 14001 : 2015 environmental certification.

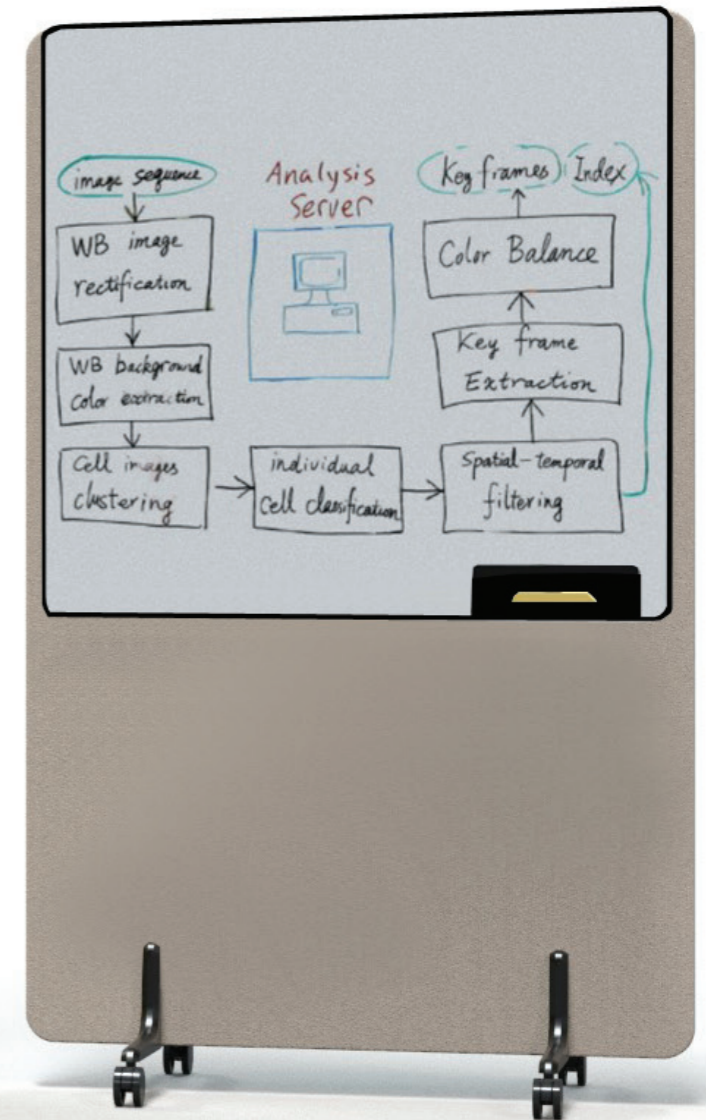


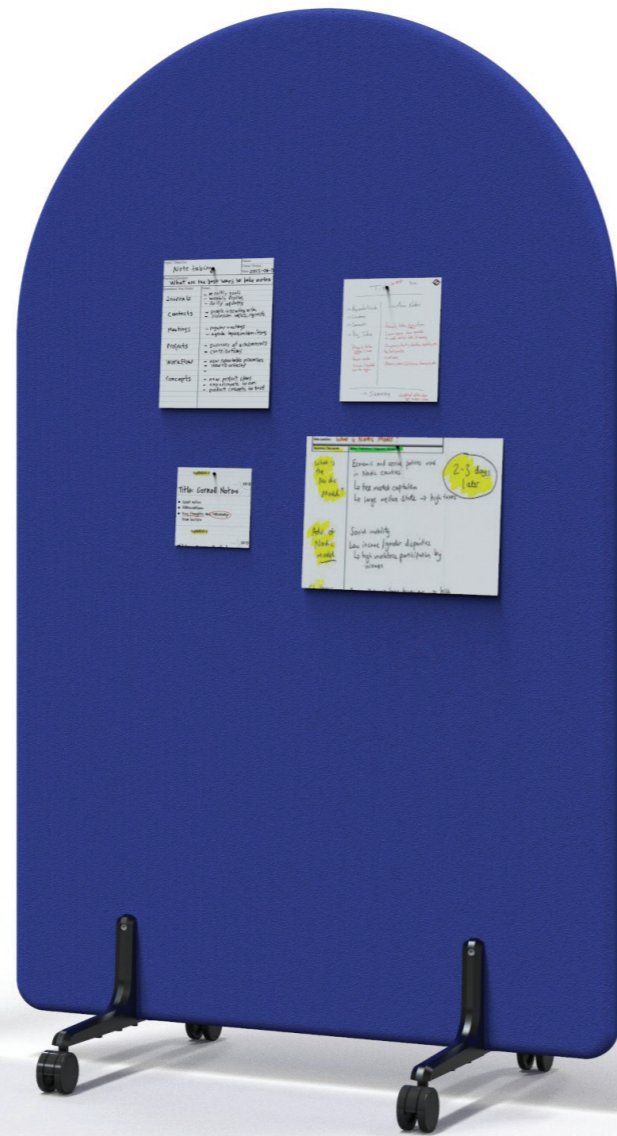
COMBI

Conference

benithem®









MONITOR
(Max 42 inch)

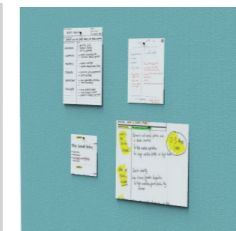


TABLE



NETBOX

**SWAPPABLE
WHITEBOARD**



PINBOARD

**ROUND
SHAPE**

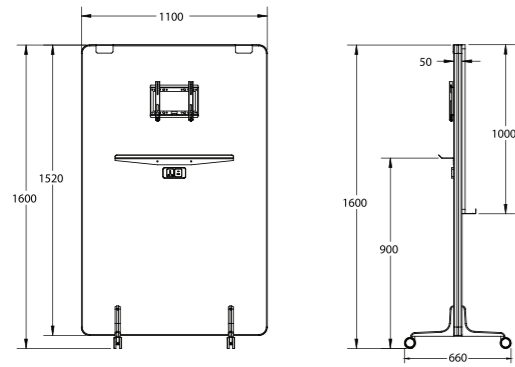


CASTORS

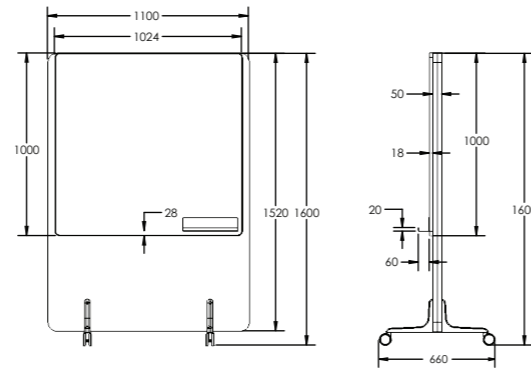


Specification

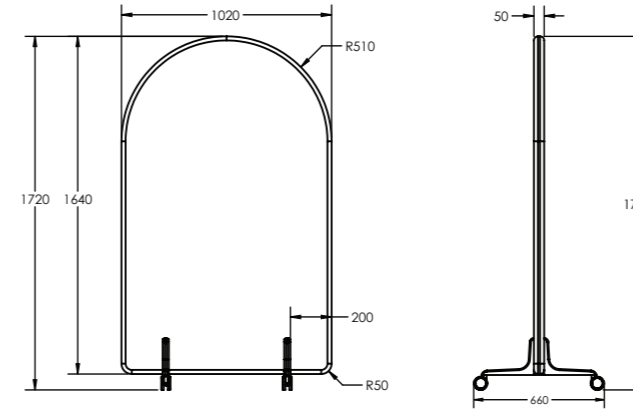
COMBI PARTITION PANEL
COMBI-PNL-1116-TBWB-NETBOX
1100w x 1600H - TV Bracket, Table, Netbox & Whiteboard



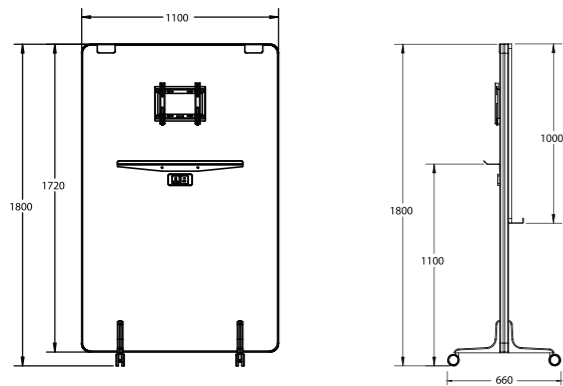
COMBI PARTITION PANEL
COMBI-PNL-1116-WB
1100w x 1600H - Whiteboard



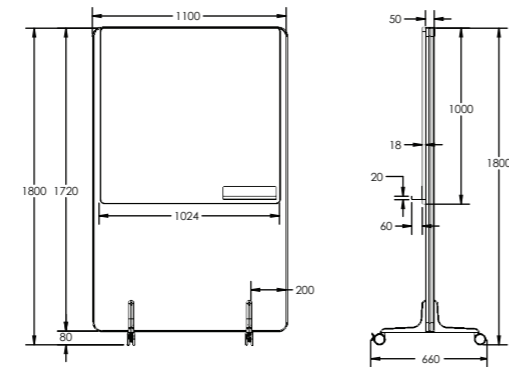
COMBI PARTITION PANEL
COMBI-PNL-10201720 (R510)
1020w X 1720h - Top Radius R510



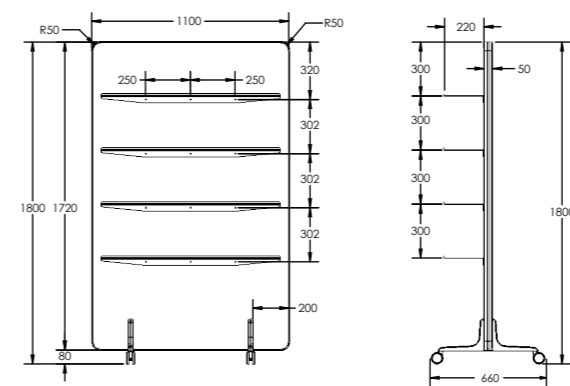
COMBI PARTITION PANEL
COMBI-PNL-1118-TBWB-NETBOX
1100w x 1800H - TV Bracket, Table, Netbox & Whiteboard



COMBI PARTITION PANEL
COMBI-PNL-1118-WB
1100w x 1800H - Whiteboard



COMBI PARTITION PANEL
COMBI-PNL-1118-SHELF
1100w X 1800h - Book Shelf



COMBI-PNL-1118-SHELF
- Book Shelf
1100w X 1800h